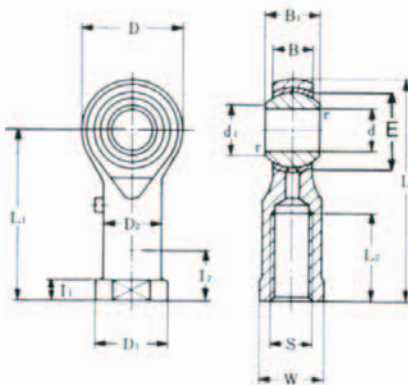


TESTE A SNODO

ROD ENDS

Forniture per l'industria gelmini s.r.l.
 Parma - 0521.993844 Fax 0521.291688
 Guidizzolo (MN) - 0376.847123 Fax 0376.840319
 www.fornituregelmini.it www.gelmini-shop.it
 info@fornituregelmini.it



TSF
TSF...C

Equivalente SKF
SIKAC...M

Equivalente INA
GIK FR...PB
GIK FR...PW

TSF: FEMMINA - FEMALE

TIPO TYPE	d	d ₁	B ₁	E	B	D	S	L ₁	L ₂	D ₂	D ₃	I ₁	W	CARICO KN RATINGS LOAD KN		PESO WEIGHT Kg.
														DYNAMIC	STATIC	
TSF 5	5	7.7	8	11.11	7	16	M 5x0.8	27	8	9	12	4	9	3.2	7	0.018
TSF 6	6	9.0	9	12.71	7	18	M 6x1	30	9	10	13	5	11	3.5	8	0.026
TSF 8	8	10.4	12	15.88	9	22	M 8x1.25	36	12	12.5	16	5	14	5.8	13	0.045
TSF 10	10	12.9	14	19.05	11	26	M10x1.5	43	15	15	19	6.5	17	8.6	18	0.076
TSF 10.1	10	12.9	14	19.05	11	26	M10x1.25	43	15	15	19	6.5	17	8.6	18	0.076
TSF 12	12	15.4	16	22.23	12	30	M12x1.75	50	18	17.5	22	6.5	19	11.5	24	0.114
TSF 12.1	12	15.4	16	22.23	12	30	M12x1.25	50	18	17.5	22	6.5	19	11.5	24	0.114
TSF 14	14	16.9	19	25.40	14	34	M14x2	57	21	20	25	8	22	17.5	36	0.158
TSF 16	16	19.4	21	28.58	15	38	M16x2	64	24	22	27	8	22	20	40	0.200
TSF 16.1	16	19.4	21	28.58	15	38	M16x1.5	64	24	22	27	8	22	20	40	0.200
TSF 17	17	20.6	22	30.16	16	40	M16x1.5	67	25	24	31	10	27	22	45	0.259
TSF 18	18	21.9	23	31.75	17	42	M18x1.5	71	27	25	31	10	27	27	50	0.288
TSF 20	20	24.4	25	34.93	18	46	M20x1.5	77	30	27.5	37	10	30	31	60	0.372
TSF 22	22	25.9	28	38.10	20	50	M22x1.5	84	33	30	37	12	32	43	72	0.475
TSF 25	25	29.6	31	42.86	22	56	M24x2	94	36	33.5	42	12	36	50	85	0.673
TSF 28	28	32.3	35	47.59	25	66	M27x2	103	41	37	46	14	41	60	90	0.950
TSF 30	30	34.9	37	50.80	26	67	M30x2	110	45	40	50	15	41	66	110	1.050

Accoppiamento: acciaio/bronzo — Sliding contact surface: steel/bronze.

Per filettatura sinistra aggiungere il suffisso «L» es. TSFL — For left-hand thread. Suffix «L» is added to bearings number and thread sign. e.g. TSFL

TSF...C: Esente da lubrificazione — Maintenance free.

TIPO TYPE	d	d ₁	B ₁	E	B	D	S	L ₁	L ₂	D ₂	D ₃	I ₁	W	CARICO KN RATINGS LOAD KN		PESO WEIGHT Kg.
														DYNAMIC	STATIC	
TSF 5 C	5	7.7	8	11.11	7.5	18	M 5	27	8	9	12	4	10	3.2	7	0.018
TSF 6 C	6	8.9	9	12.71	7.5	20	M 6	30	9	10	13	5	10	3.5	8	0.026
TSF 8 C	8	10.3	12	15.88	9.5	24	M 8	36	12	12.5	16	5	13	5.8	13	0.045
TSF 10 C	10	12.9	14	19.05	11.5	30	M10	43	15	15	19	6.5	16	8.6	18	0.088
TSF 10.1C	10	12.9	14	19.05	11.5	30	M10x1.25	43	15	15	19	6.5	16	8.6	18	0.088
TSF 12 C	12	15.4	16	22.23	12.5	34	M12	50	18	17.5	22	6.5	18	11.5	24	0.120
TSF 12.1C	12	15.4	16	22.23	12.5	34	M12x1.25	50	18	17.5	22	6.5	18	11.5	24	0.120
TSF 14 C	14	16.8	19	25.40	14.5	38	M14	57	21	20	25	8	21	17.5	36	0.140
TSF 16 C	16	19.3	21	28.58	15.5	42	M16	64	24	22	27	8	24	20	40	0.240
TSF 16.1C	16	19.3	21	30.16	15.5	42	M16x1.5	64	24	22	27	8	24	20	40	0.240
TSF 18 C	18	21.8	23	31.75	17.5	46	M18	71	27	25	31	10	27	27	50	0.320
TSF 20 C	20	24.3	25	34.93	18.5	50	M20	77	30	27.5	37	10	30	31	60	0.430
TSF 22 C	22	25.8	28	38.10	21	56	M22	84	33	30	37	12	34	43	72	0.610
TSF 25 C	25	29.5	31	42.86	23	60	M24	94	36	33.5	42	12	36	50	85	0.810
TSF 28 C	28	32.2	35	47.59	26	66	M27	103	41	37	46	14	41	60	90	1.120
TSF 30 C	30	34.8	37	50.80	27	70	M30	110	45	40	50	15	46	66	110	1.350

Accoppiamento: Acciaio/PTFE

Per filettatura sinistra aggiungere il suffisso «L» es. TSFL...C

To line SF1 material on the surface of spherical plain. For left-hand thread. Suffix «L» is added to bearings number and thread sign. e.g. TSFL...C